

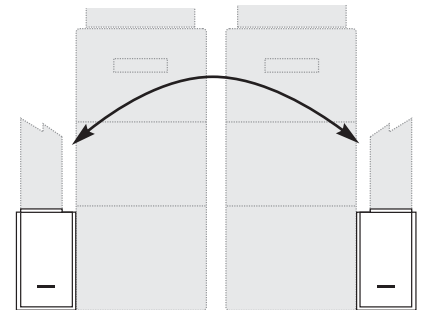
Ultravation®

ProgressiveMedia™ Right Angle Design Media Air Cleaners

- High efficiency design for filtration performance and installation
- Saves space, simplifies installation, minimizes HVAC footprint
- Requires less installation ductwork/metal saving material and time
- Filter acts as turning vane for even and complete loading of media, while foam seals prevent bypass
- Works great with smaller furnace/air handler openings and enables the use of full sized 20x25 filters for better cleaning and lower pressure drop
- Twin-door design instantly adapts for left or right returns
- 100% U.S. origin galvanized heavy gauge steel
- Sturdy design manufactured in USA in our Vermont facilities
- Rugged powder coat finish
- Optional color-match of HVAC associated HVAC equipment
- Custom contractor logo imprint program
- 10-year cabinet warranty
- **MERV 11 or MERV 13 filter option with low .13 pressure drop**



Shown with custom color and imprint

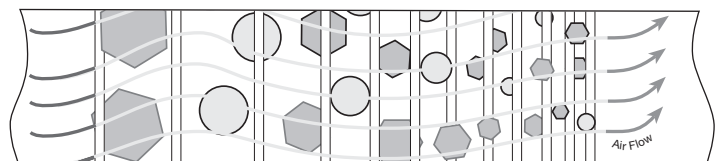


A door on each end provides instant “reversability” for left or right returns. Perfect for retrofits and new construction, Ultravation Media Air Cleaners are efficient to install and provide premium performance for the homeowner.

ProgressiveMedia™ MERV 11 and 13 Filtration

Ultravation’s extended life **UltraStrand™** layered and varying density media technology removes particulates with extreme efficiency and low pressure drop, while providing superior performance for homeowners—especially those with allergies.

- 100% synthetic, continuous, thermally bonded (no chemical adhesives), high surface area hypoallergenic fibers
- Statically charged fibers attract and hold particulate
- Layered design maximizes holding capacity and completely fills the filter
- 12 month life depending on environmental conditions



Layered media increases in density to capture progressively smaller particles through the entire filter

Ultravation®

Professional Indoor Air Quality Products

Ultravation.com

Member:



Ultravation® ProgressiveMedia™ Air Cleaners

Technical Specifications

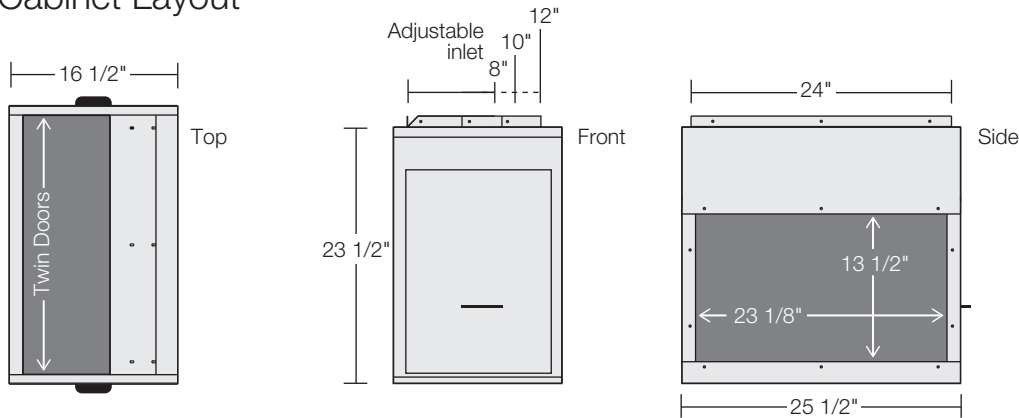
Right Angle Design ProgressiveMedia™ Air Cleaners

Model	Finish	Cabinet dimensions H x W x D	Outlet size (furnace A/C side)	Inlet size	Filter size
90-064	White, powder coat	23.5" x 16.5" x 25.5"	23 1/8" x 13 9/16"	Adjustable	20" x 25" x 5"
90-027	Galvanized	23.5" x 16.5" x 25.5"	23 1/8" x 13 9/16"	Adjustable	20" x 25" x 5"

ProgressiveMedia™ Replacement Filters with UltraStrand™ Technology

Model	Rating	Pressure drop (1200 CFM)	Filter size	Replacement interval
91-006	MERV 11	.13	20" x 25" x 5"	6-12 months
91-026	MERV 13	.13	20" x 25" x 5"	6-12 months

Cabinet Layout



Gaskets included to optimize IAQ performance.

All Ultravation® ProgressiveMedia™ Air Cleaners have been tested using ANSI / ASHRAE 52.2-1992 standard test procedures

Designed and manufactured in USA by Ultravation, Inc.



Available from:

Member:



Ultravation®

Professional Indoor Air Quality Products

Ultravation, Inc. Poultney, Vermont 05764 • 866.468.8247 F802.287.9203 • sales@ultravation.com • www.ultravation.com