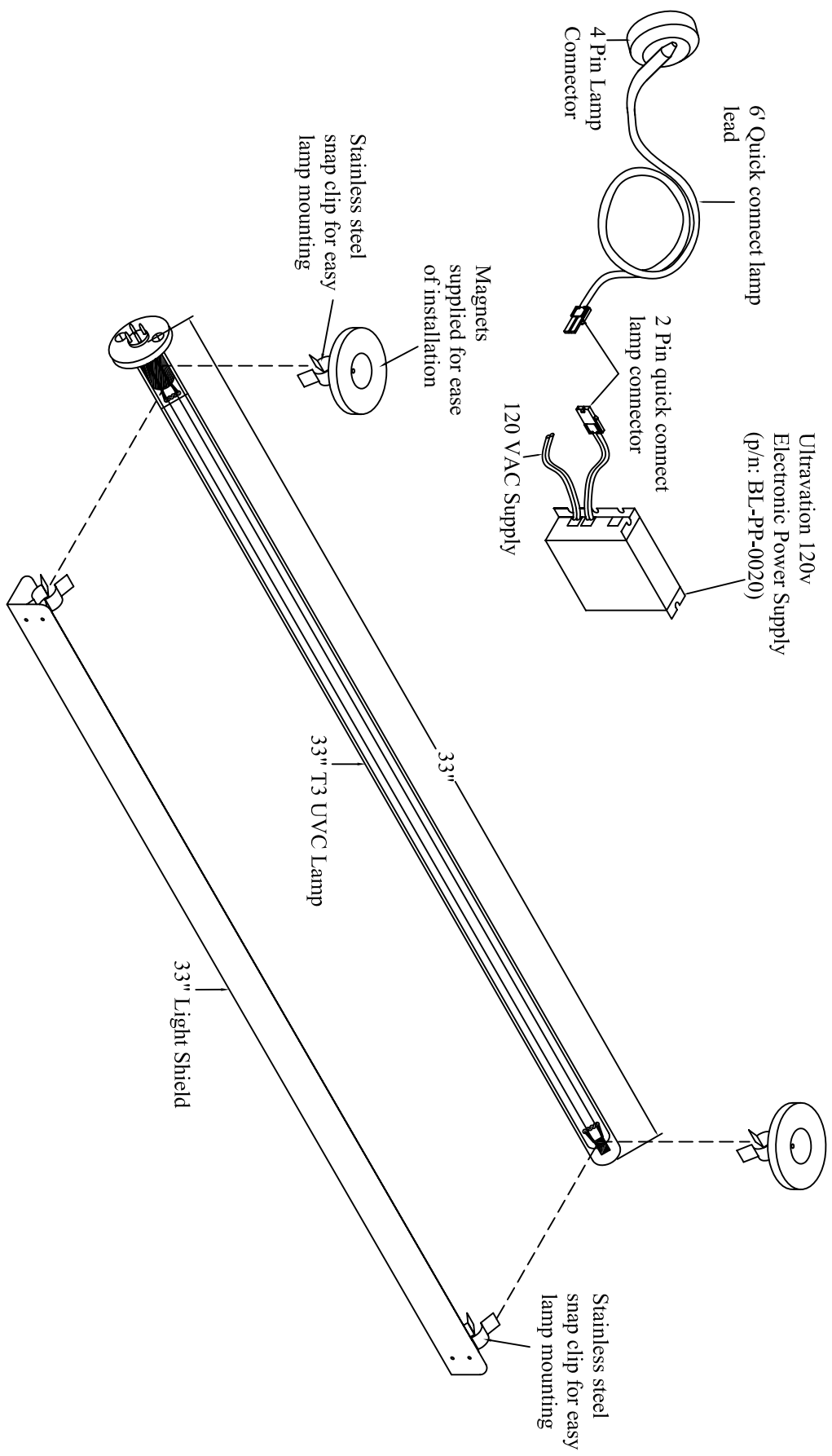


Specifications

Power Consumption: .35 amps @ 120V

Lamp Length: 33" T3 UVC Lamp



Ultravation, Inc.

212 Ideal Way
 Poulinery, Vermont 05764
 Ph: 802-287-9735
 Fx: 802-287-9203
 www.Ultravation.com

Part #: UVMatrix-EZ-33-120 Drawing #: DG-IH-3290 Rev: *

Description: UVMatrix EZ with 33" T3 UVC Lamp with magnetic clips for ease of installation. 6' Lamp lead, 120v Operation and full length light shield.

Date: 1/20/09 Scale: Creator: JSM