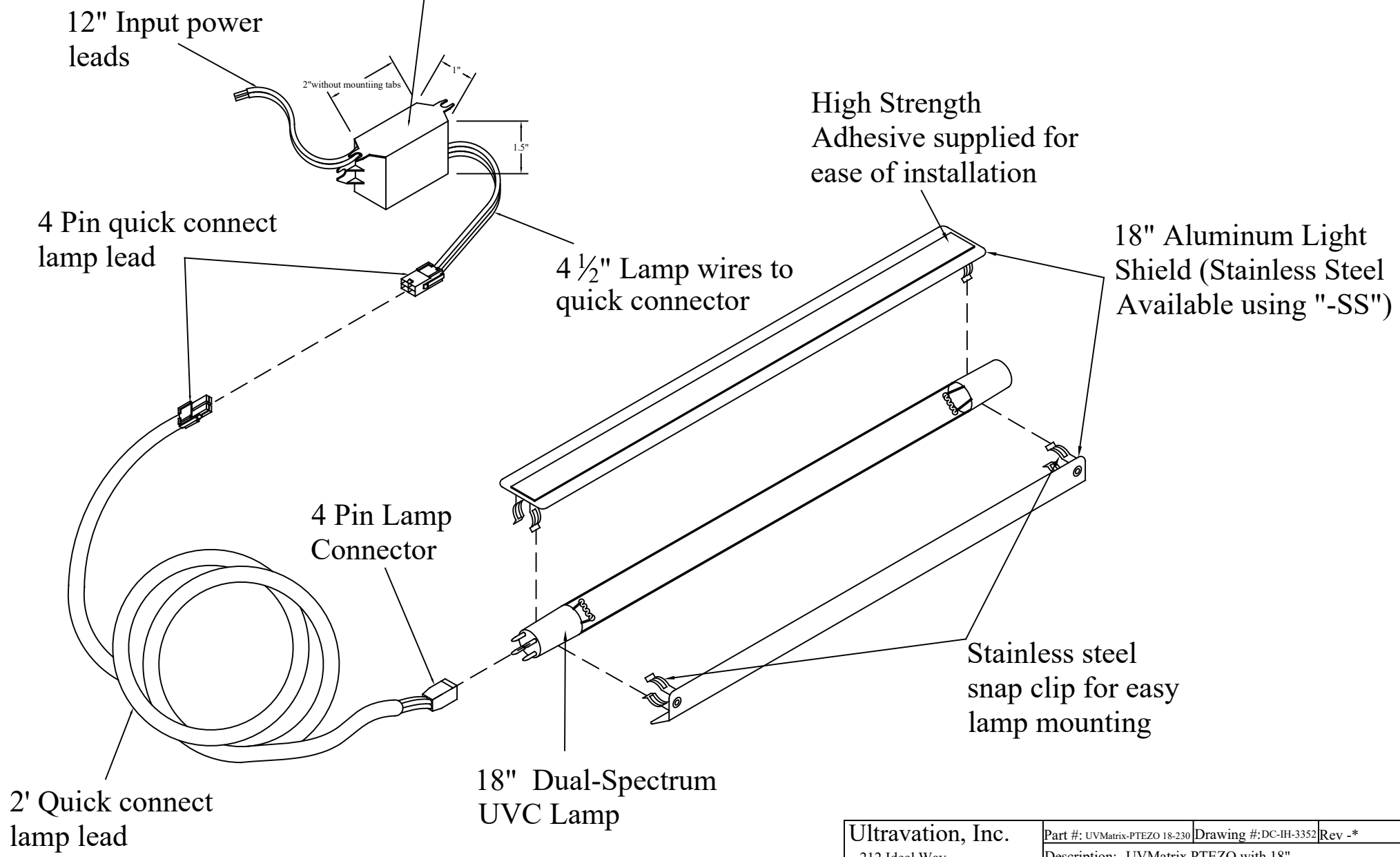


<b>Specifications</b>
Power Consumption: .12 amps @ 230V
Lamp Length: 18" Dual-Spectrum UVC Lamp
Lamp Replacement Part #: LP-PP-0034
Shield Material: Aluminum (-SS, Stainless Steel Option)

**Ultravation Low Profile  
230v Electronic Power  
Supply**



<b>Ultravation, Inc.</b> 212 Ideal Way Poultney, Vermont 05764 Ph: 802-287-9735 Fx: 802-287-9203 www.Ultravation.com	Part #: UVMatrix-PTEZO 18-230	Drawing #: DC-IH-3352	Rev -*
	Description: UVMatrix PTEZO with 18" Dual-Spectrum UVC Lamp with high strength adhesive for ease of installation. 2' Lamp lead, 230v Operation and full length light shield.		
Date: 1/20/21	Scale:	Creator: JSM	