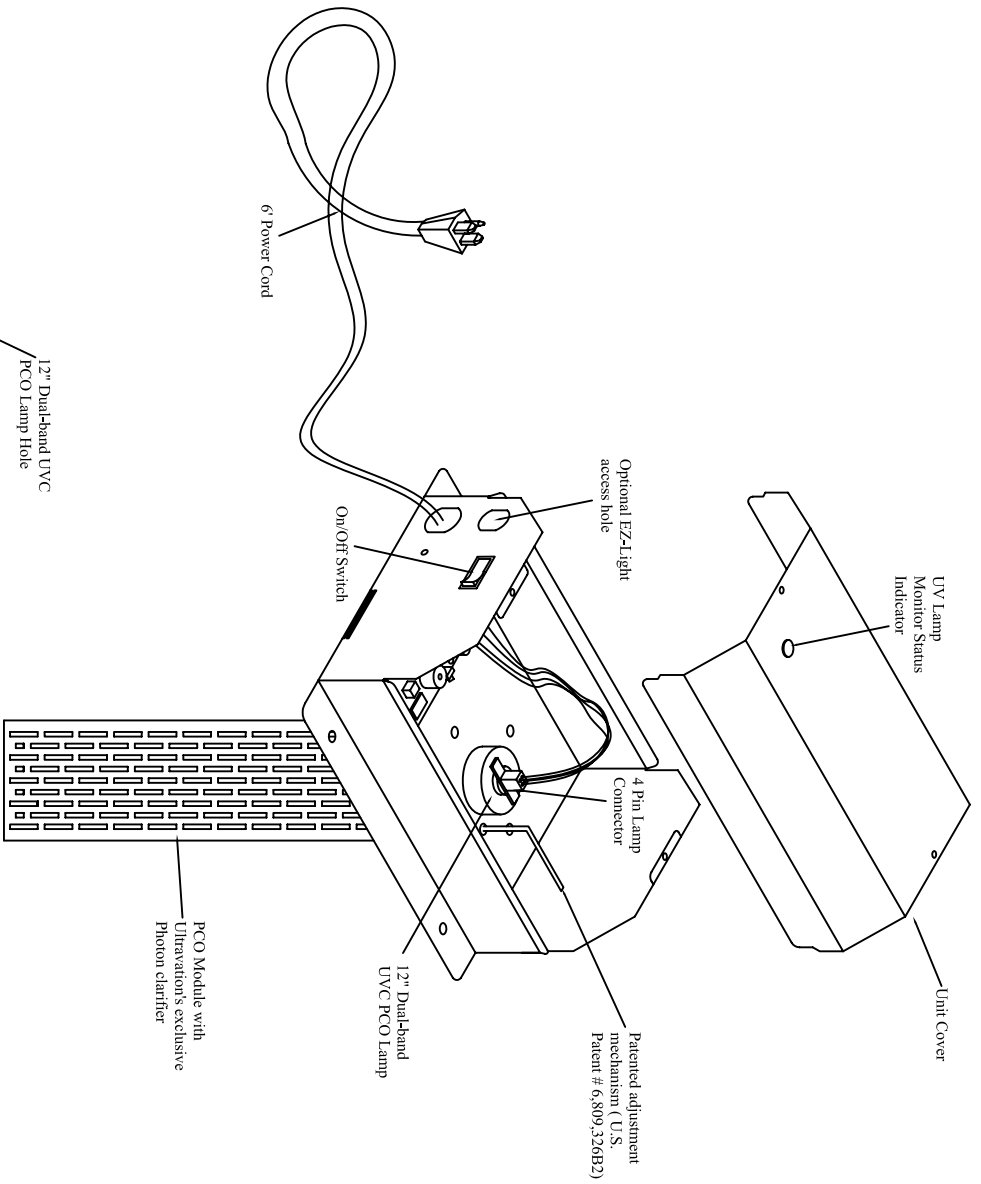
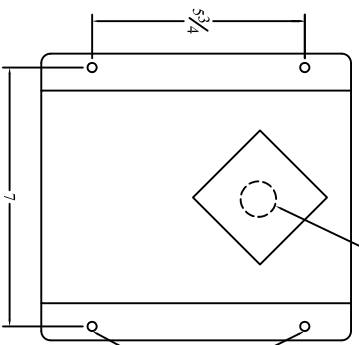
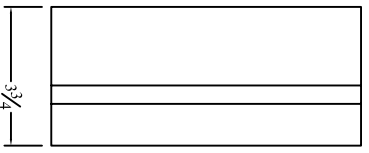
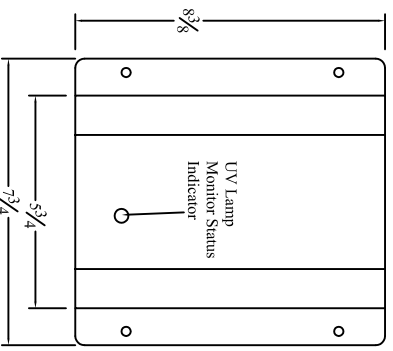
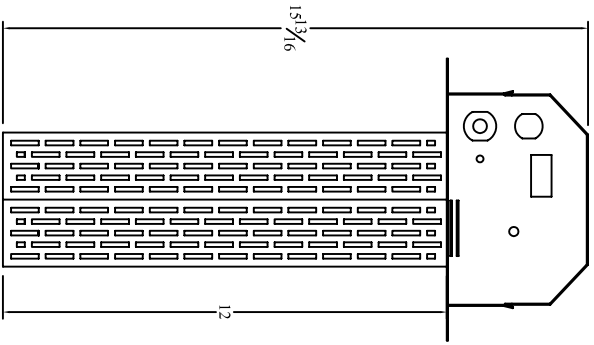


Specifications

Housing Material: Powder Coated 20 Ga. Galvanized Steel
Power Consumption: 20 Watts
Number of Lamps: 1 - 12" PCO Lamp
Oxidation Adjustment: 300F ² to 5000F ²



Ultravation, Inc.

2112 Ideal Way
 Poulinney, Vermont 05764
 Ph: 802-287-9735
 Fx: 802-287-9203
 www.Ultravation.com

Part #: PTX-1200F Drawing #: DC-H-336 Rev -*

Description: 1-12" Dual Spectrum UVC Fixed Lamp System, 120 VAC. Includes the UV Lamp/Monitor and Patented adjustable advanced oxidation to reduce odors and microorganisms
 Date: 10/10/09 Scale: NTS Creator: JSM