

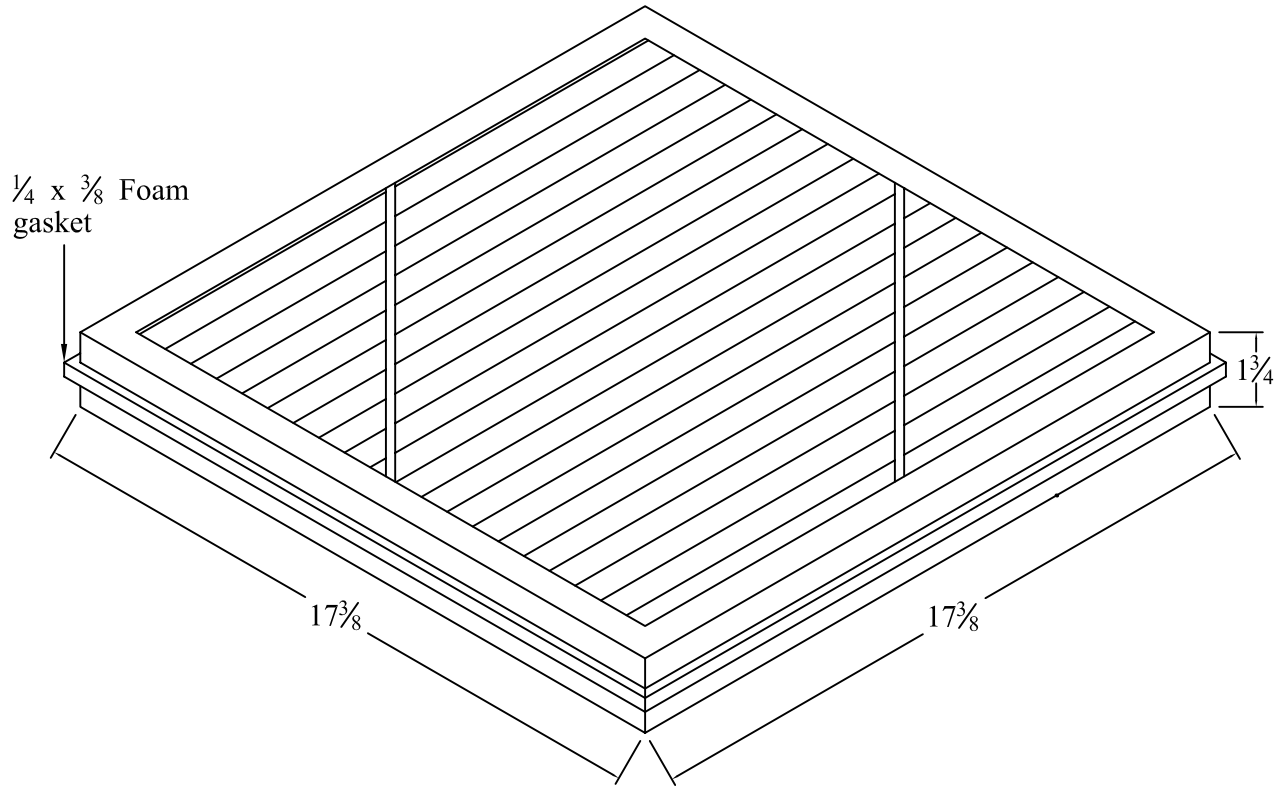
Specifications:

Material: Heavy duty beverage board

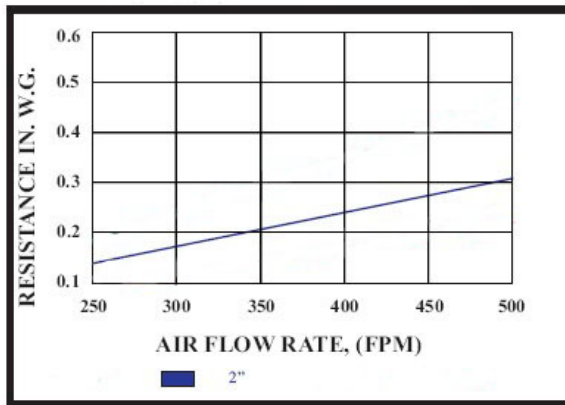
Media Square Feet: 9.92 ft²

Efficiency: 85% on particles 3-10 microns

Pressure Drop: .15 in. of water @ 1500 CFM

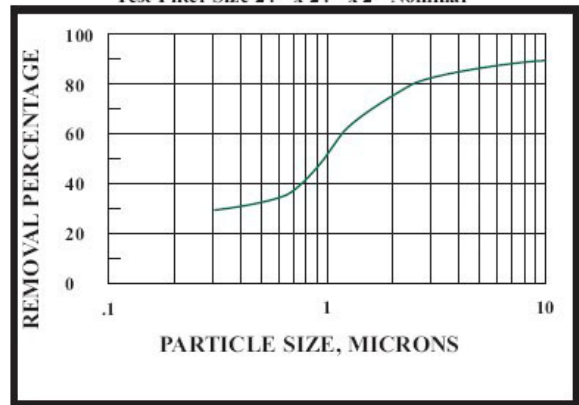


STANDARD PRESSURE DROP



MINIMUM PARTICLE SIZE EFFICIENCY

Test Filter Size 24" x 24" x 2" Nominal



Ultravation, Inc.

212 Ideal Way.
 Poultney Vermont 05764.
 Ph: 802-287-9735
 Fx: 802-287-9203
 www.Ultravation.com

Part #: 91-010

Drawing #: DC-IH-3213 Rev -*

Description: Replacement MEVR-11 Kimberly Clark® intrepid media Pre-Filter for HEPA (Used in models 70-001, 70-002, 92-019, 92-020, 92-021, 92-023, 93-002)

Date: 2/7/07

Scale:

Creator: JSM