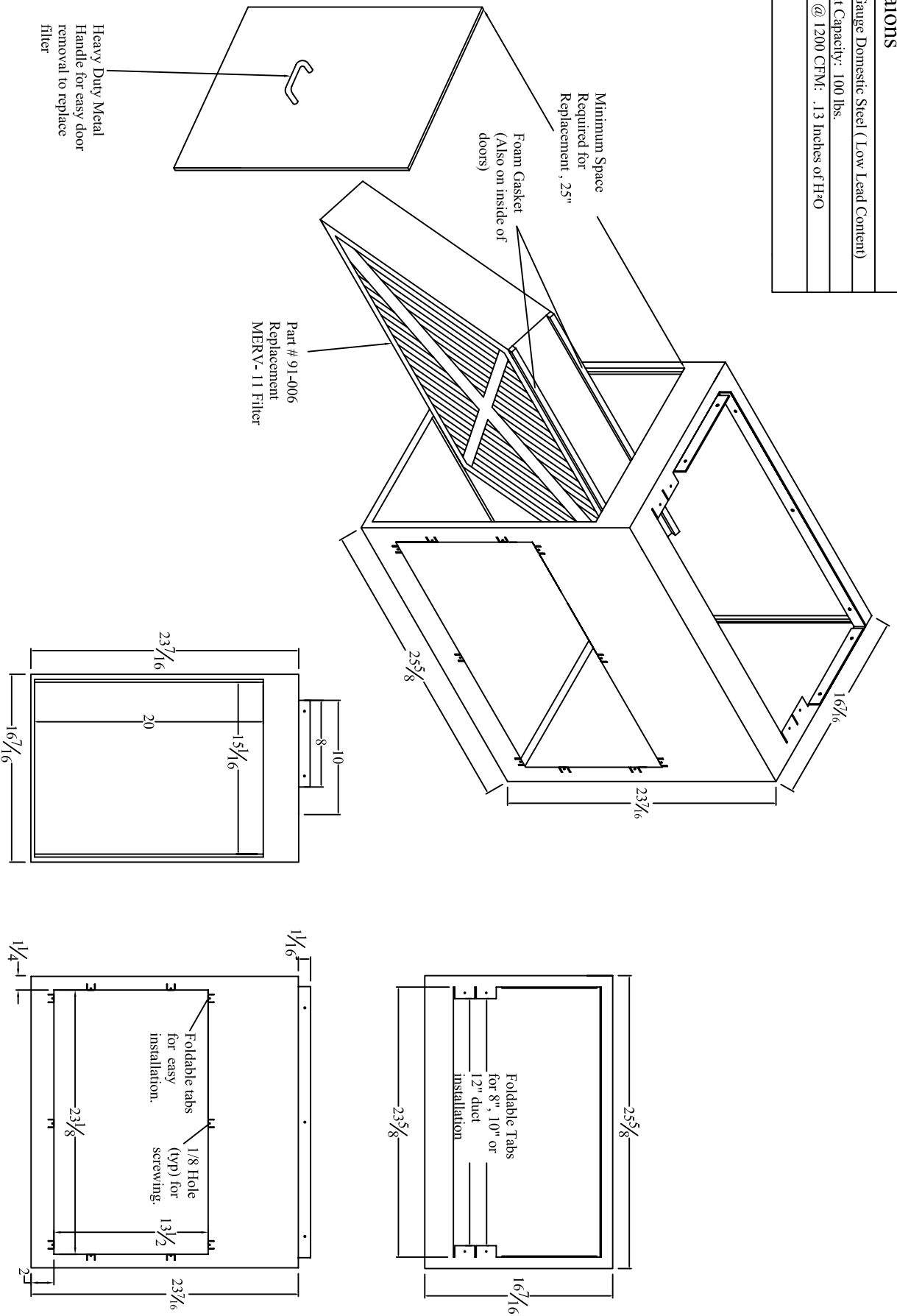


Specifications

Material: 20 Gauge Domestic Steel (Low Lead Content)

Design Weight Capacity: 100 lbs.

Pressure Drop @ 1200 CFM: .13 Inches of H₂O



Ultravation, Inc.

212 Ideal Way
 Poulinney Vermont 05764.
 Ph: 877-468-8247
 Fx: 802-287-9203
 www.Ultravation.com

Part #: 90-027 Drawing #: DC-II-321 Rev

Description: Right Angle Media Air Cleaner w/ 20 x 25 x 5" MERV -11 filter; Galvanized finish.

Date: 1/1/11 Scale: Creator: JSM