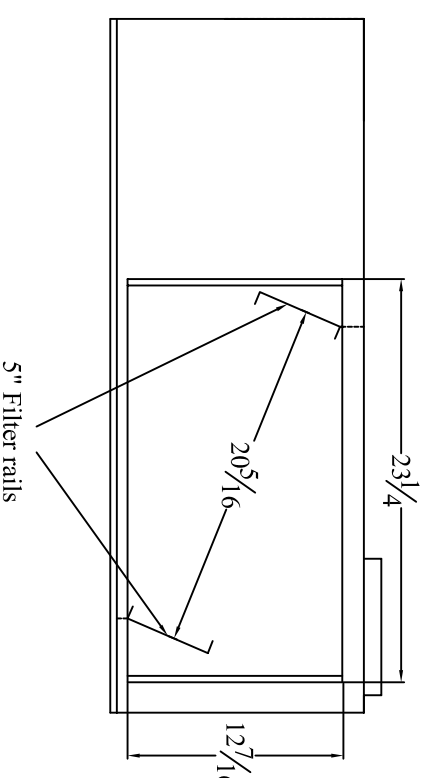
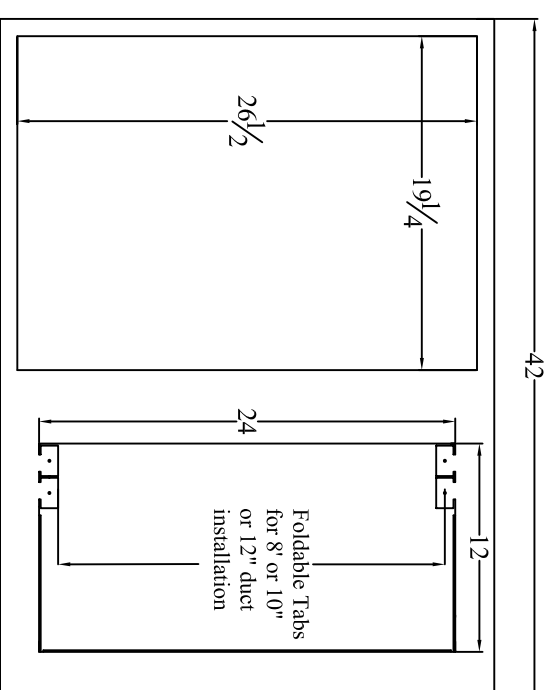
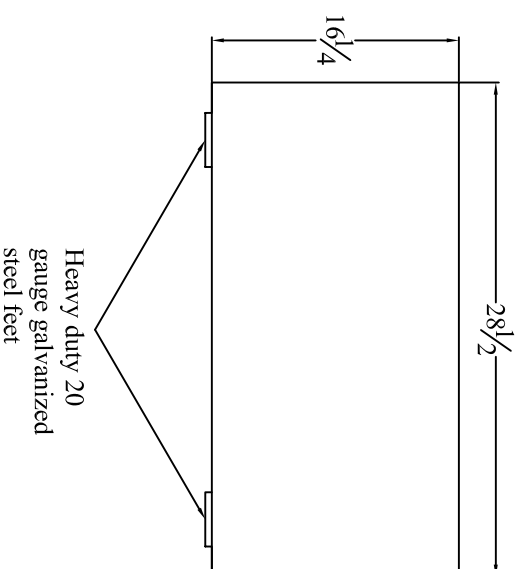
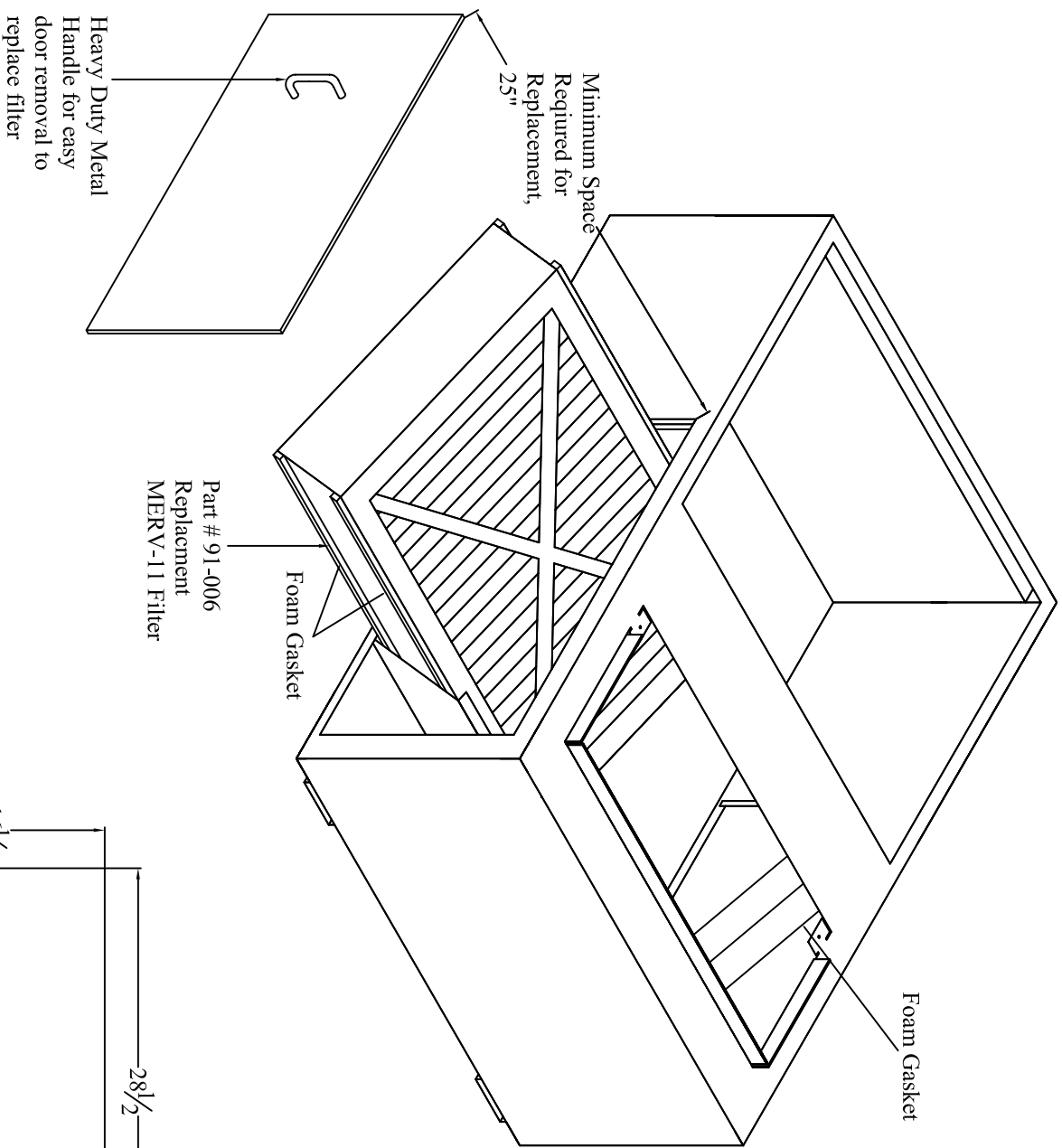


Specifications

Material: 20/26 Gauge Domestic Steel (Low Lead Content)

Design Weight Capacity: 300 lbs.

Pressure Drop @ 1200 CFM: .13 Inches of H₂O



Ultravation, Inc.

212 Ideal Way,
 Poulney Vermont 05764.
 Ph: 866-468-8247
 Fx: 802-287-9203
 www.Ultravation.com

Part #: 90-032

Drawing #: DC-IH-3027

Rev -A

Description: Un-insulated Furnace support box SBL system, w/ 20x25x5 MERV-11 filter, Galvanized finish unpainted.

Date: 1/1/11

Scale:

Creator: JSM