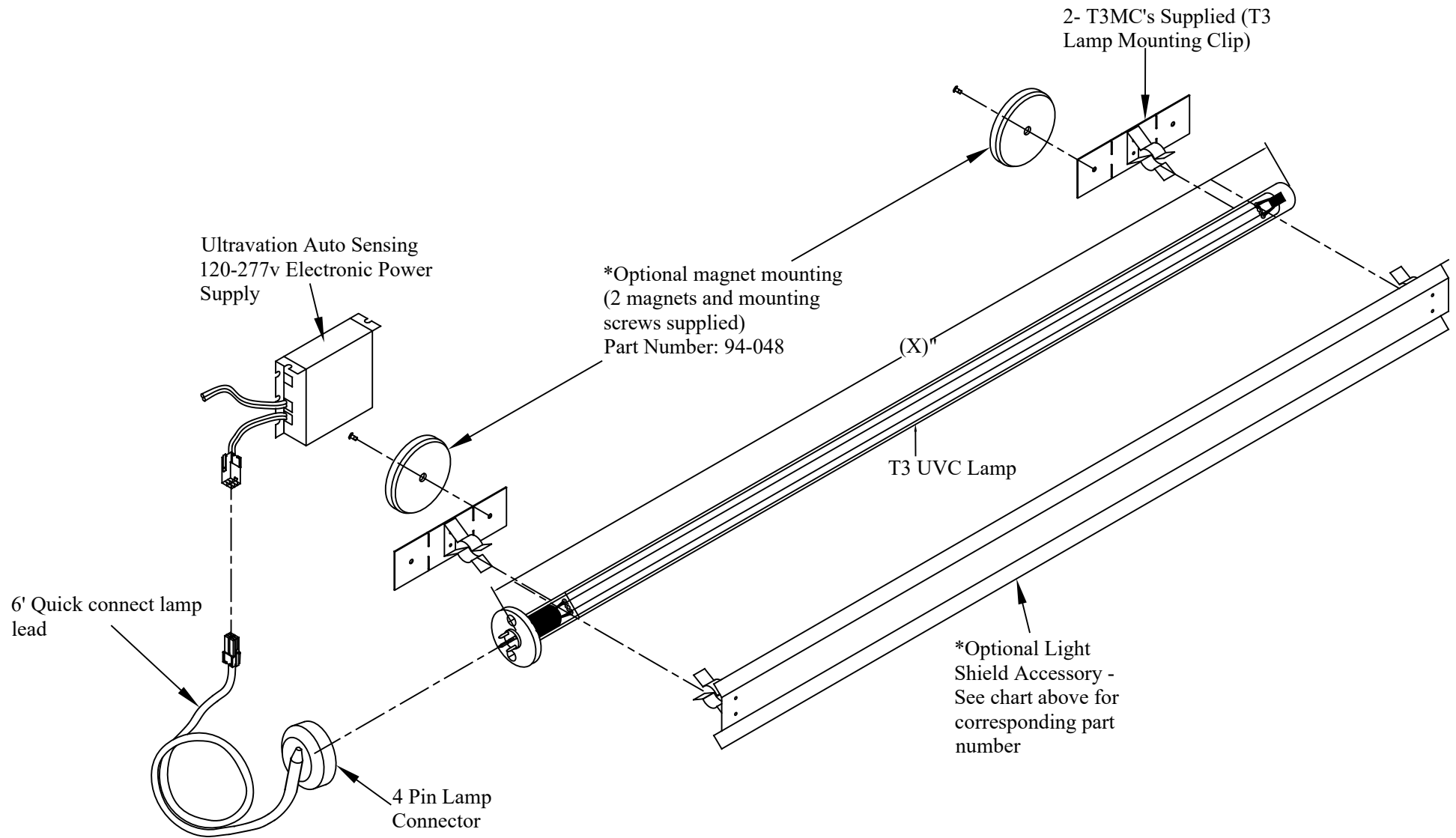


Models & Specifications

Model Number	Lamp Part Number	Lamp Length (X)	Light Shield Part Number	Power Consumption
UVMatrix EZ-22	AS-IH-1005	22" T3 Lamp	94-047	29VA
UVMatrix EZ-33	AS-IH-0611	33" T3 Lamp	94-045	42VA
UVMatrix EZ-48	AS-IH-0612	48" T3 Lamp	94-046	60VA
UVMatrix EZ-62	AS-IH-0610	62" T3 Lamp	94-043	76VA



Ultravation, Inc.

212 Ideal Way
 Poultney, Vermont 05764
 Ph: 802-287-9735
 Fx: 802-287-9203
www.Ultravation.com

Part #: UVMatrix-EZ Series | Drawing #: UVMatrixEZS-DSS | Rev -A

Description: UVMatrix EZ with T3 UVC Lamp (lamp length option above (X)). 6' Lamp lead, 120-277v Operation. *Optional, full length light shield and magnet mount*.

Date: 1/20/20

Scale:

Creator: JSM