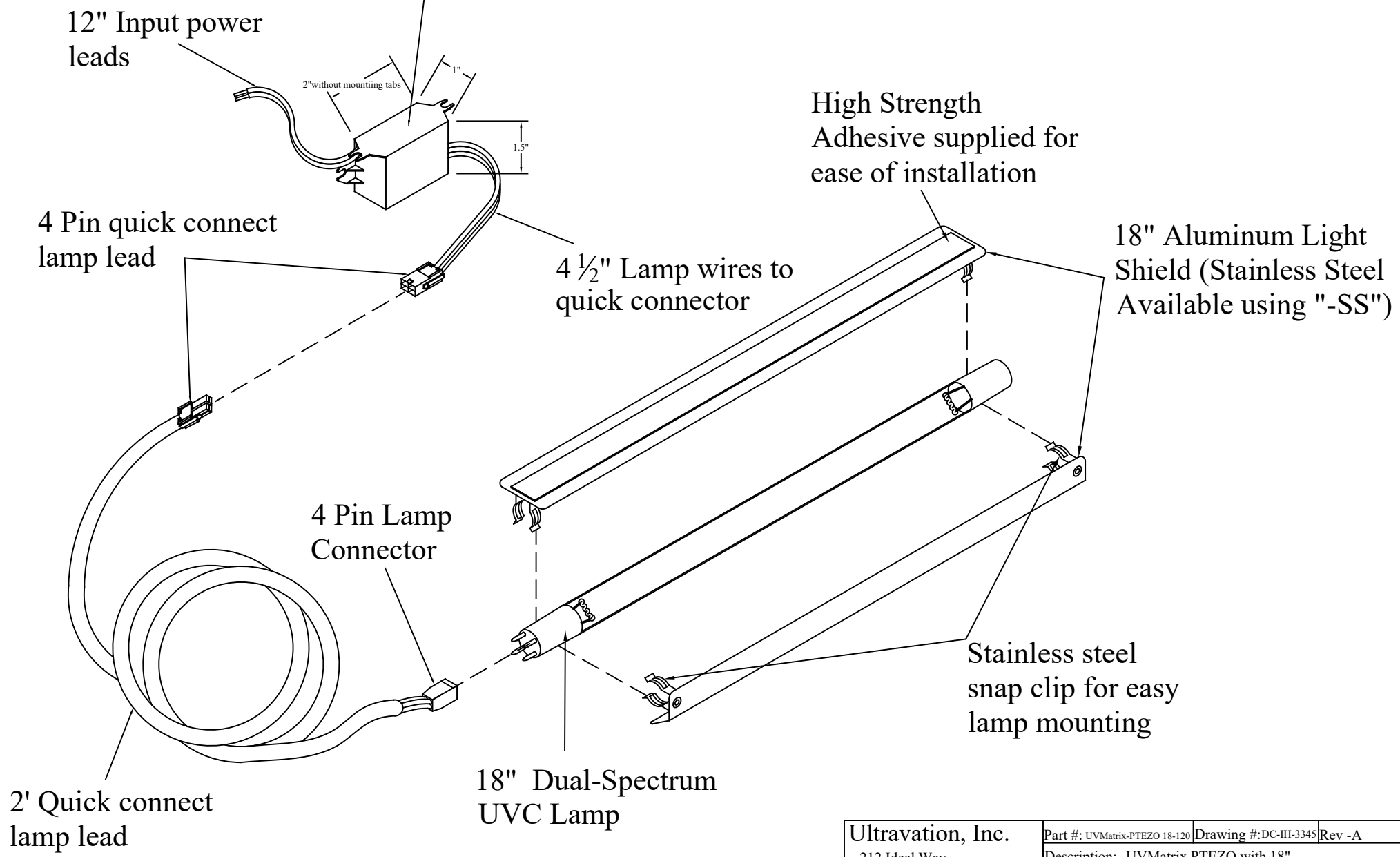


Specifications
Power Consumption: .24 amps @ 120V
Lamp Length: 18" Dual-Spectrum UVC Lamp
Lamp Replacement Part #: LP-PP-0034
Shield Material: Aluminum (-SS, Stainless Steel Option)

**Ultravation Low Profile
120v Electronic Power
Supply**



Ultravation, Inc. 212 Ideal Way Poultney, Vermont 05764 Ph: 802-287-9735 Fx: 802-287-9203 www.Ultravation.com	Part #: UVMatrix-PTEZO 18-120	Drawing #: DC-IH-3345	Rev -A
Description: UVMatrix PTEZO with 18" Dual-Spectrum UVC Lamp with high strength adhesive for ease of installation. 2' Lamp lead, 120v Operation and full length light shield.			
Date: 1/20/10	Scale:	Creator: JSM	