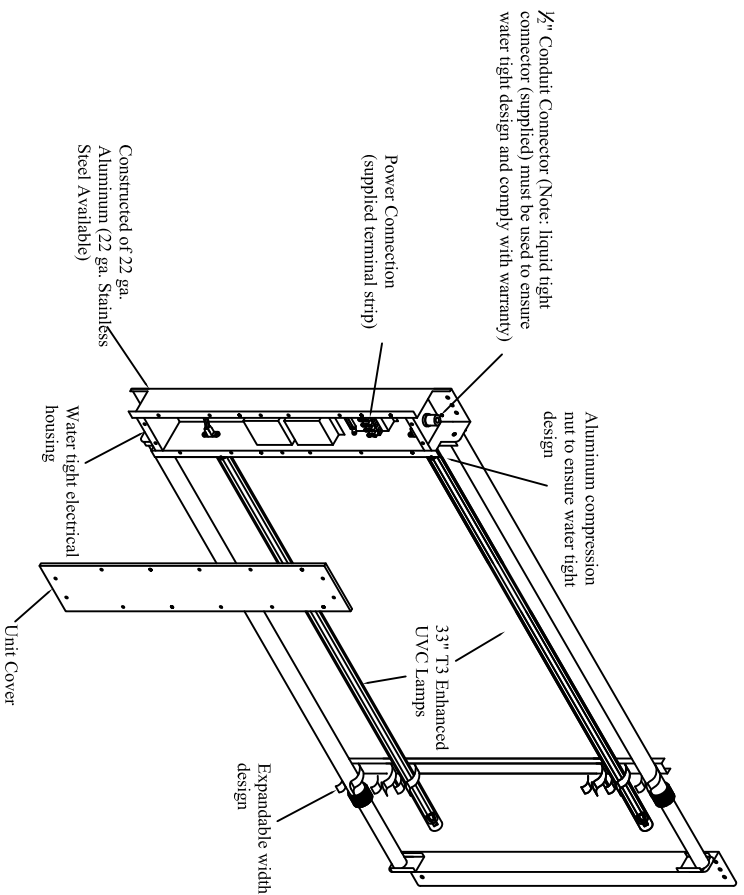
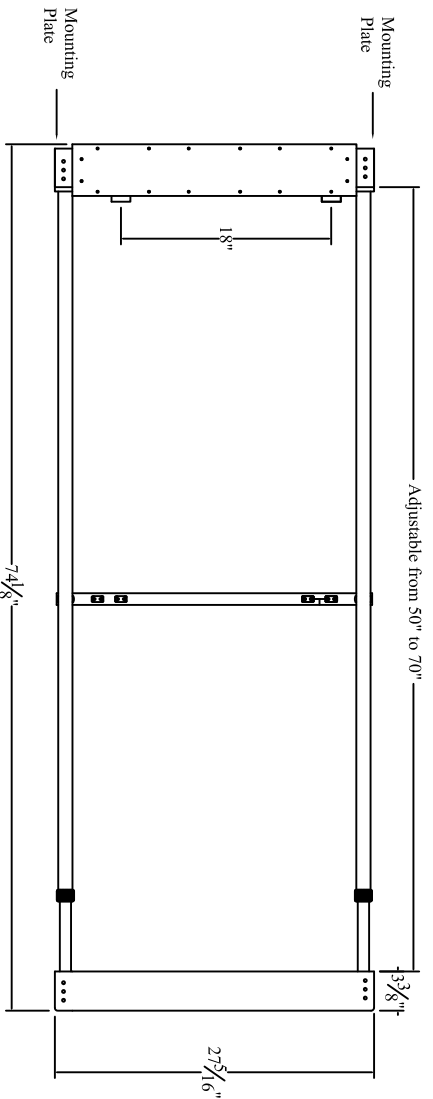


Specifications

Material: 22 ga. Aluminum (22 ga. Stainless Steel available)
Lamps: 2- 33" UVC lamps (Quartz sleeve for max thermal optimization)
Power Supply: 120v Outdoor Rated Electronic power supply
Power Consumption: 72 Watts / .63 amps @ 120v
Electrical Housing: Water Tight Design
Note: Mounting hardware supplied



Ultravation, Inc. 212 Ideal Way Poulinery, Vermont 05764 Ph: 802-287-9735 Fx: 802-287-9203 www.Ultravation.com	Part #: UV Matrix SI-2S/G36-18 120 Drawing #DC-1H-3330 Rev - *	
	Description: UVMatrix SI with 2 36" UVC lamps. Expandable width design. Water tight electrical housing	
Date: 2/18/10	Scale:	Creator: JSM