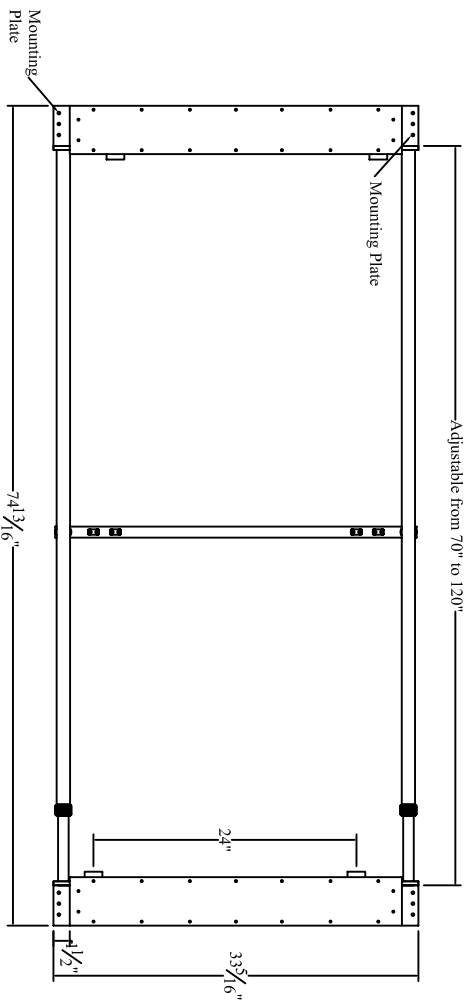
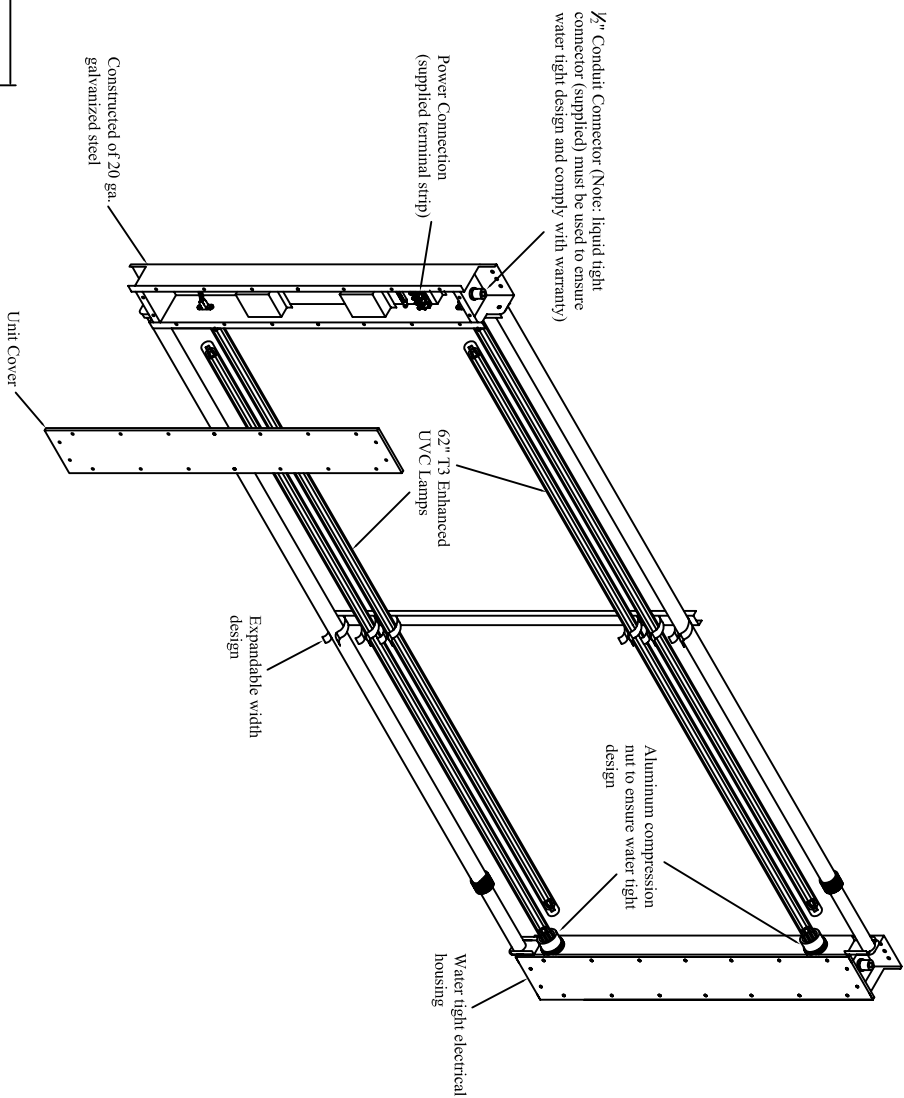


# Specifications

- Material: 20 ga. Domestic Galvanized Steel (22 ga. Stainless Steel available)
- Lamps: 4- 62" UVC lamps (Quartz sleeve for max thermal optimization)
- Power Supply: 277v Outdoor Rated Electronic power supply
- Power Consumption: 300 Watts / 1.35 amps @ 277v
- Electrical Housing: Water Tight Design

Note: Mounting hardware supplied



## Ultravation, Inc.

212 Ideal Way  
 Poulney, Vermont 05764  
 Ph: 802-287-9735  
 Fx: 802-287-9203  
 www.Ultravation.com

Part #: UV Matrix SI-4/G64 277 Drawing #: DC-1H-3326 Rev -\*

Description: UVMatrix SI with 4 62" UVC lamps.  
 Expandable width design. Water tight electrical housing

Date: 1/19/09 Scale: Creator: JSM