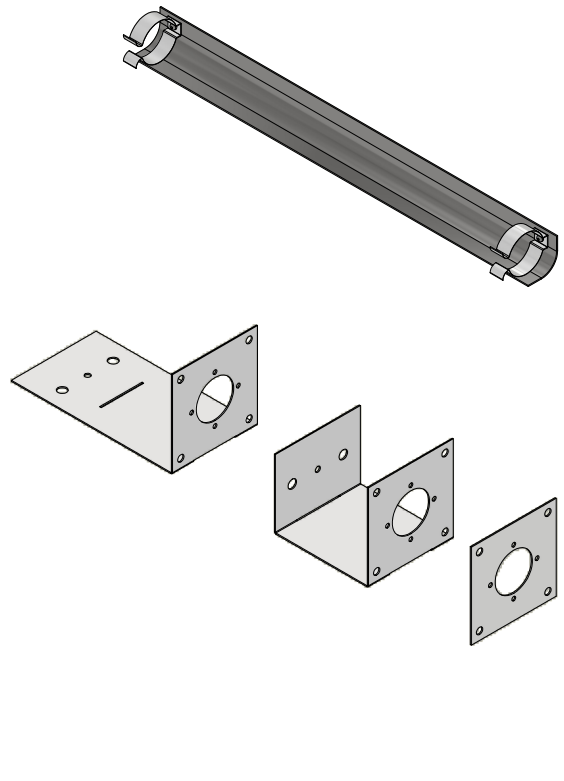
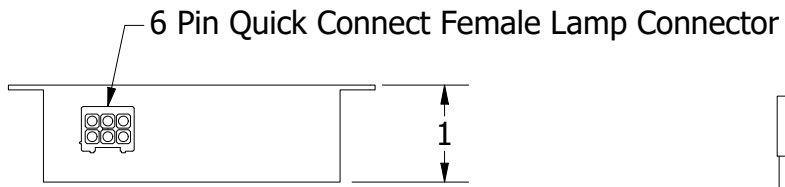


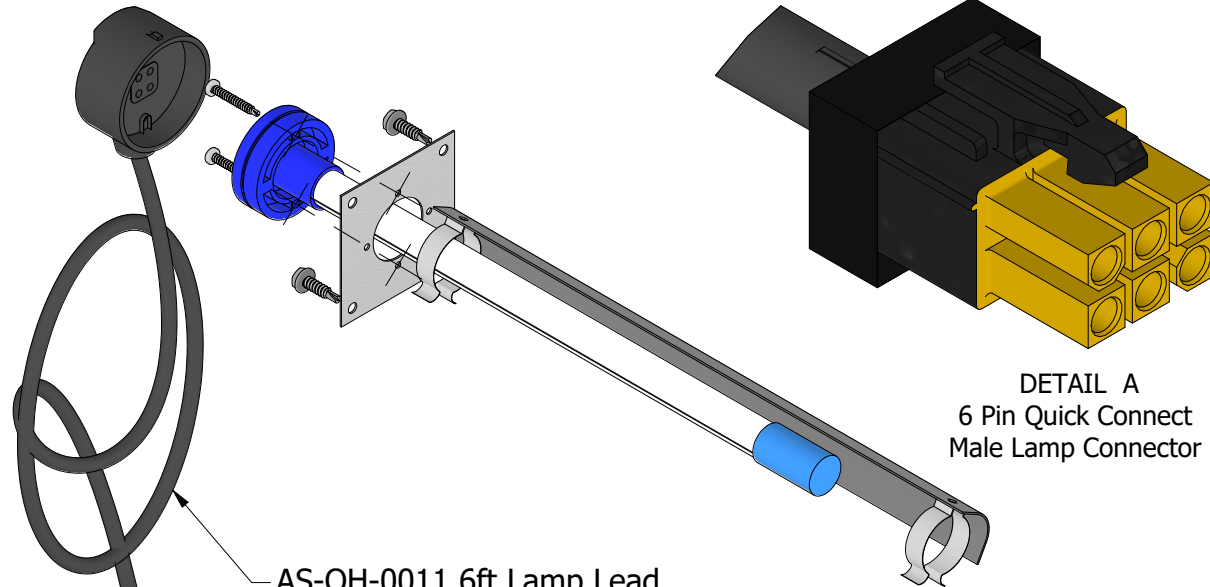
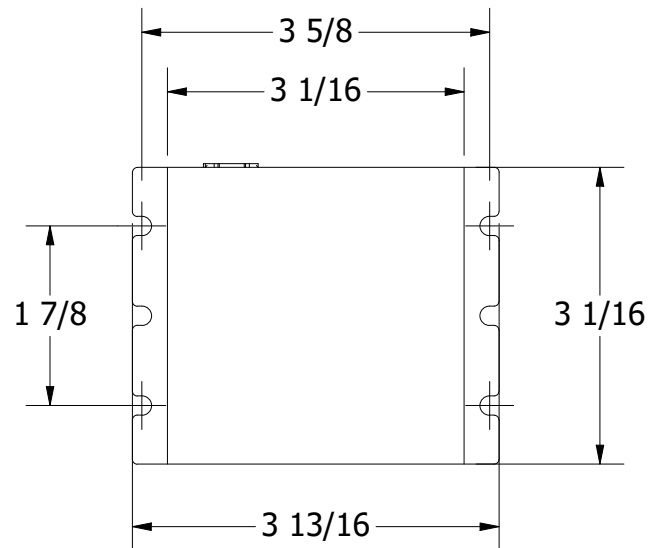
94-066 12" Snap on Light Shield



Adjustable Z Bracket for Lamp Mounting
(Easily modify based on Mounting Requirement)

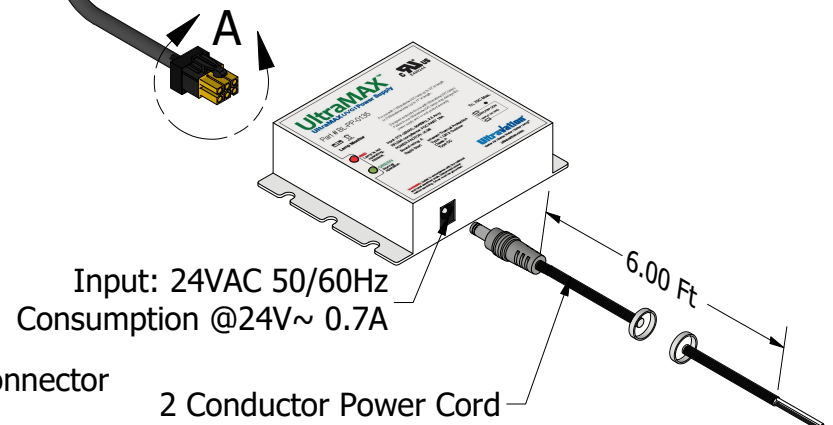


6 Pin Quick Connect Female Lamp Connector



AS-OH-0011 6ft Lamp Lead

DETAIL A
6 Pin Quick Connect
Male Lamp Connector



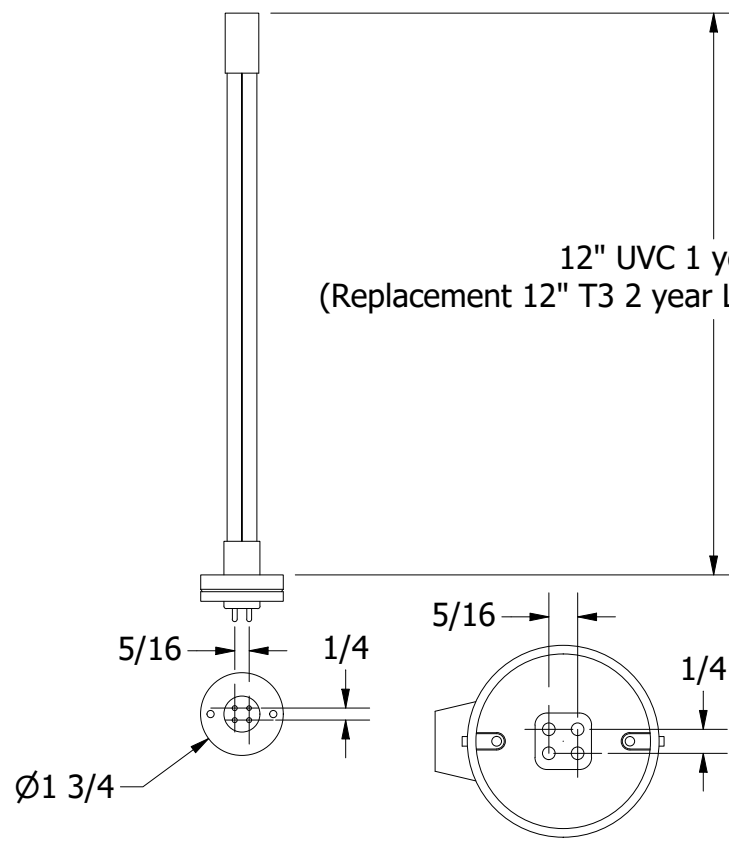
Input: 24VAC 50/60Hz
Consumption @24V~ 0.7A

2 Conductor Power Cord

6.00 Ft

No Drill Magnet Mount
Add on provided with
UMX2412EZ-M

12" UVC 1 year Lamp
(Replacement 12" T3 2 year Lamp Part No: AS-IH-1001)



Lamp Pins are rectangular
&
only goes on to Lamp Lead in orientation shown above.



DRAWN Anik I.	11/15/2022	Ultravation 67 TUBBS AVE, BRANDON VT-05733. 866-468-8247. www.ultravation.com		
CHECKED		TITLE		
QA		UMX2412EZ Series		
MFG		Ultravation (R) UltraMax UVEZ 24VAC Unit with one 12" lamp		
APPROVED		SIZE A3	DWG NO UMX2412-EZ	REV
All dimensions are in inches		SCALE 3.5/8	TOLERANCE: ±0.02	SHEET 1 OF 1