

DETAIL C  
6 PIN  
CONNECTOR  
FOR BALLAST  
SCALE 1 / 2

DETAIL D  
4 PIN  
CONNECTOR  
FOR LAMP  
SCALE 1 / 2

EZ SNAP ON  
LIGHT SHIELD  
W/ MAGNET PROVIDED

6FT LAMP LEAD

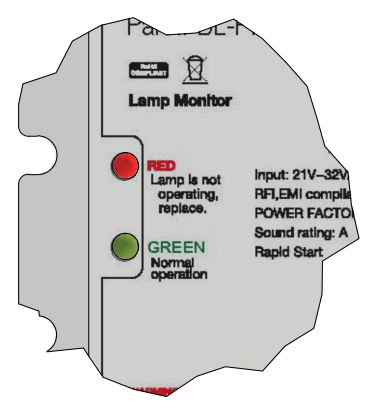
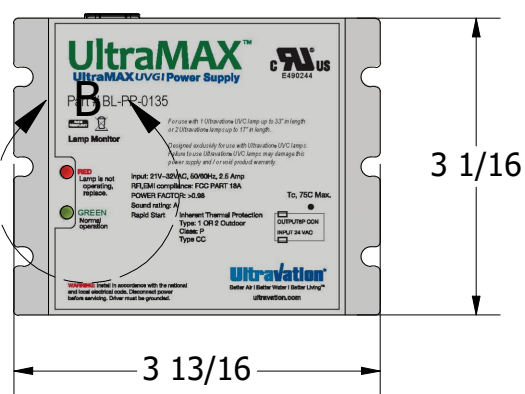
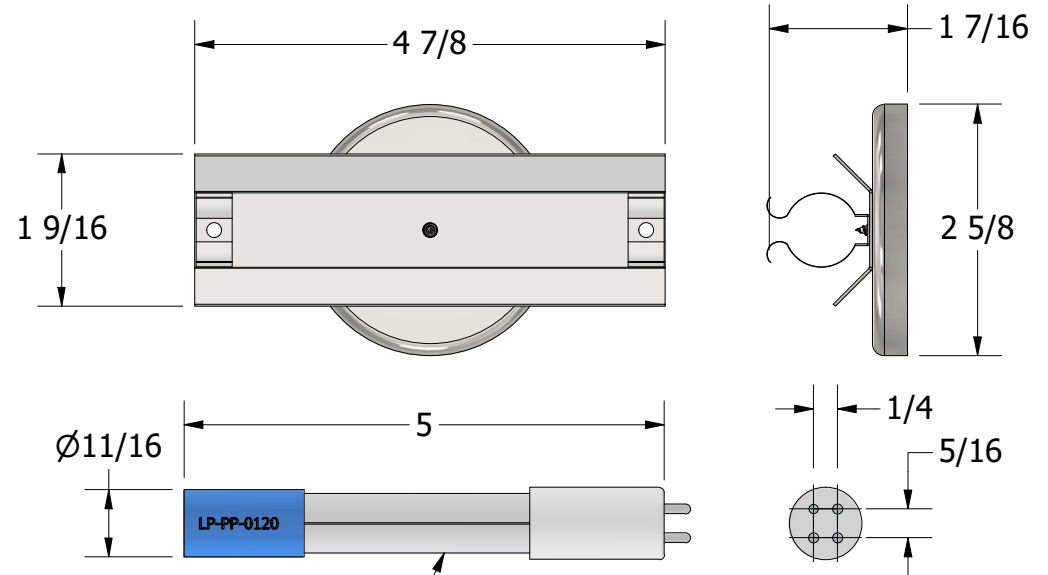
6FT POWER LEAD

24 VAC POWER INPUT

Zero Ozone UVC Lamp Lamp Part No: LP-PP-0120

6 CONNECTOR FOR LAMP LEAD

DETAIL B  
SCALE 1 : 1



DRAWN	ANIK D.	8/2/2023	<b>ULTRAVATION INC.</b> 67 TUBBS AVE, BRANDON VT-05733. 866-468-8247. www.ultravation.com		
CHECKED	QA				
MFG	APPROVED		TITLE <b>UMX245-EZ</b> 24 Vac-5" Length Single Ozone Free Lamp UVC System With Magnet for EZ Internal Mounting.		
			SIZE	DWG NO	REV
			A3	EZ series	0
ALL DIMENSIONS ARE IN INCHES		SCALE	1/3	TOLERANCE: ±0.031	SHEET 1 OF 1