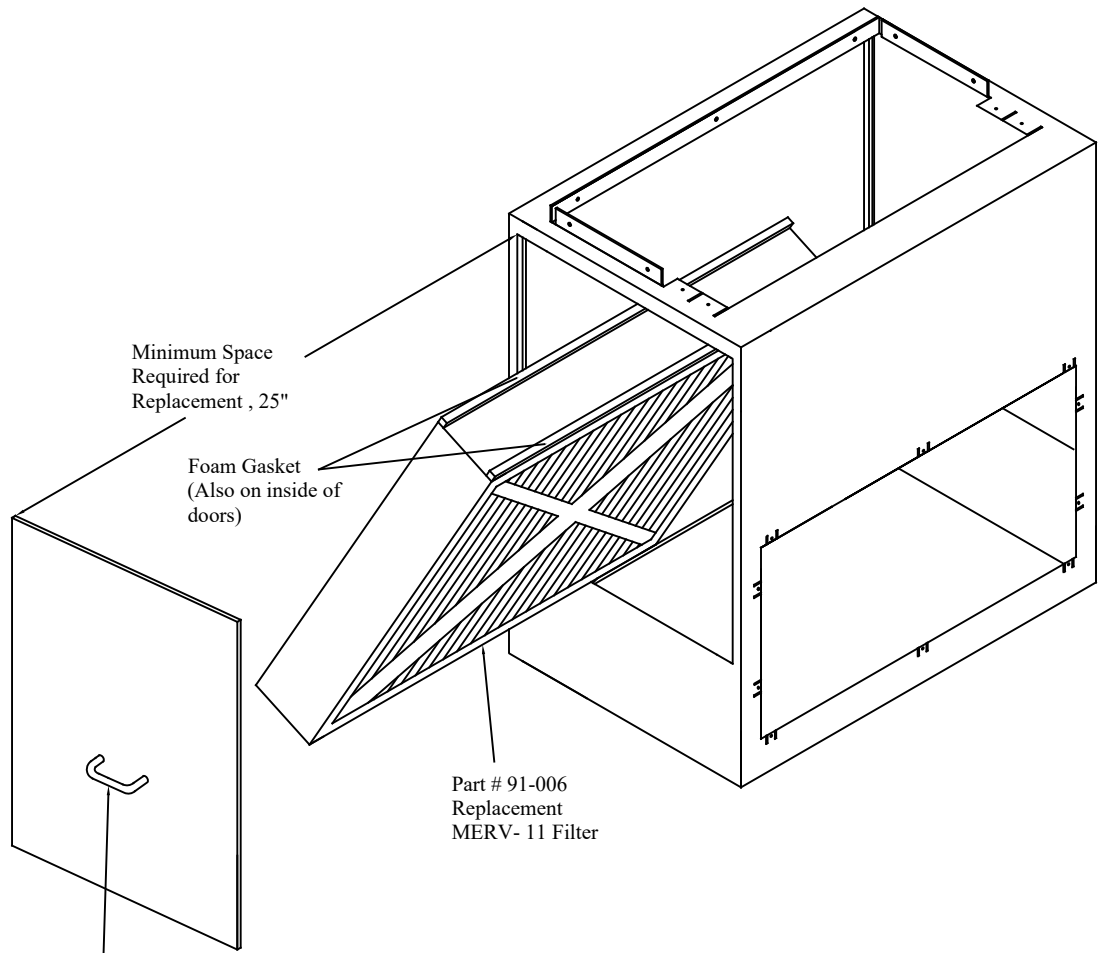
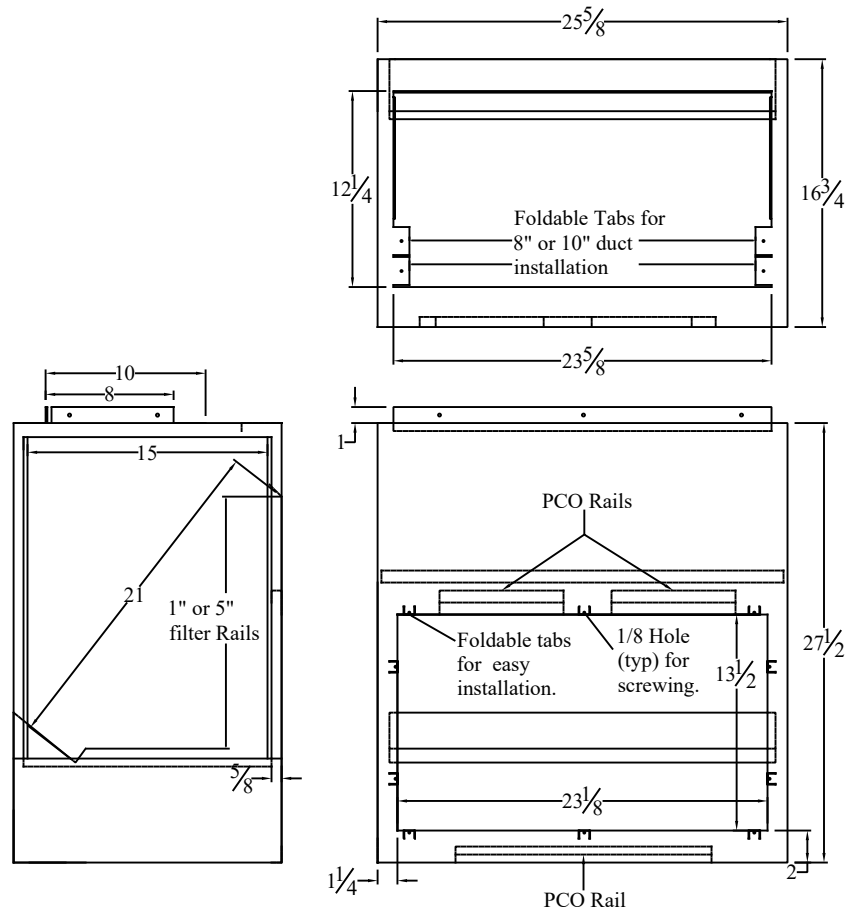


Specifications	
Material:	22 Gauge Domestic Steel (Low Lead Content)
Design Weight Capacity:	275 lbs.
Pressure Drop @ 1000 CFM:	.09 Inches of H ₂ O



Heavy Duty Plastic Handle for easy door removal to replace filter



Ultravation, Inc.
 67 Tubbs Ave
 Brandon Vermont 05733.
 Ph: 802-247-0034
 Fx: 802-247-0033
 www.Ultravation.com

Part #: 90-027	Drawing #: DC-IH-3022	Rev -B
Description: Right Angle Media Air Cleaner w/ 20 x 25 x 5" MERV -11 filter, unpainted galvanized metal finish. .		
Date: 10/30/06	Scale:	Creator: JSM