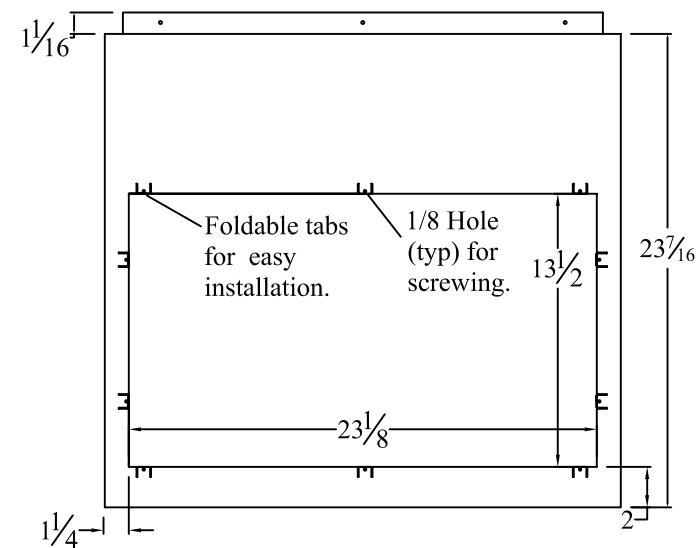
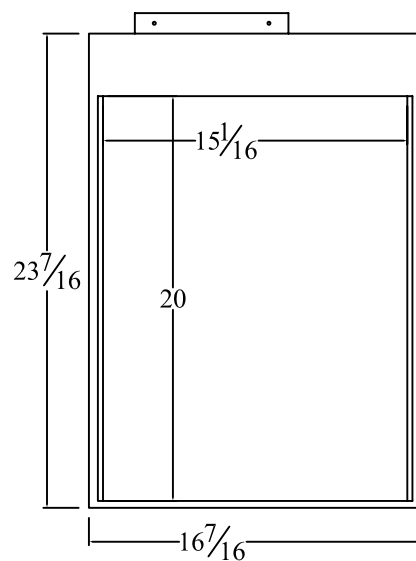
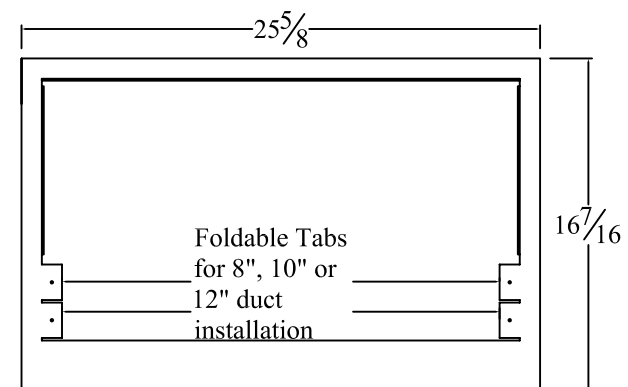
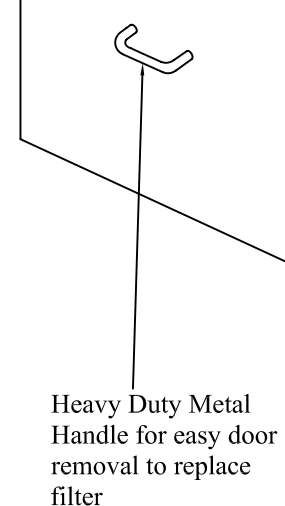
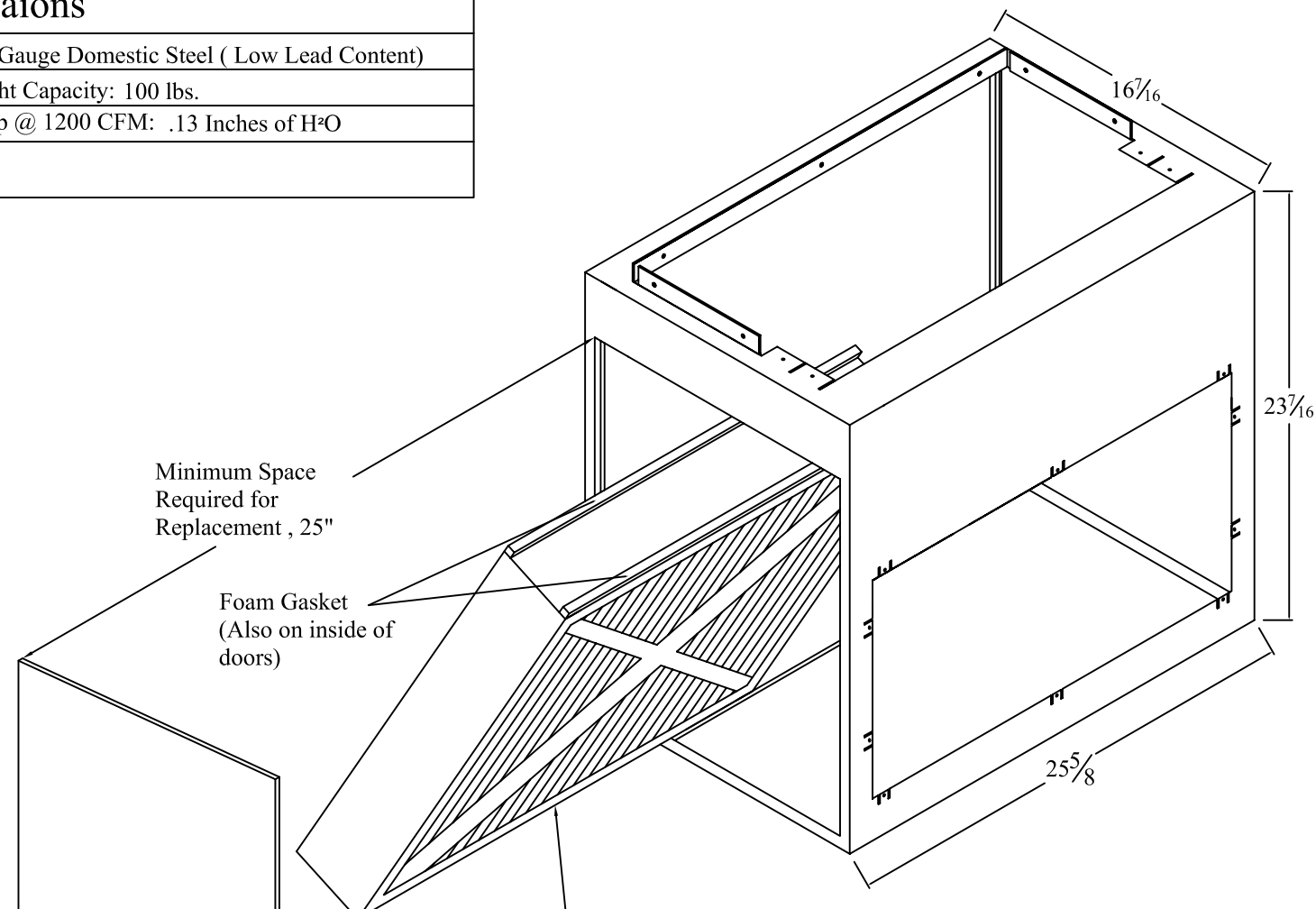


# Specifications

Material: 20 Gauge Domestic Steel ( Low Lead Content)

Design Weight Capacity: 100 lbs.

Pressure Drop @ 1200 CFM: .13 Inches of H<sub>2</sub>O



## Ultravation, Inc.

212 Ideal Way  
 Poultney Vermont 05764.  
 Ph: 877-468-8247  
 Fx: 802-287-9203  
 www.Ultravation.com

Part #: 90-064	Drawing #: DC-IH-3237	Rev -A
Description: Right Angle Media Air Cleaner w/ 20 x 25 x 5" MERV -11 filter, standard powder coated finish.		
Date: 1/1/11	Scale:	Creator: JSM