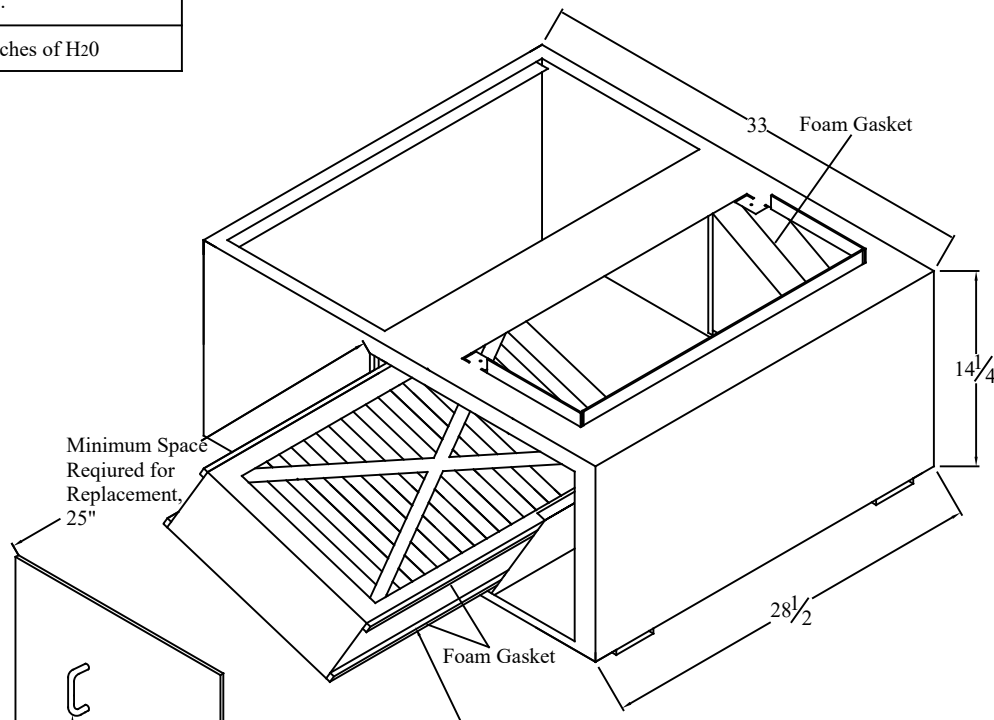
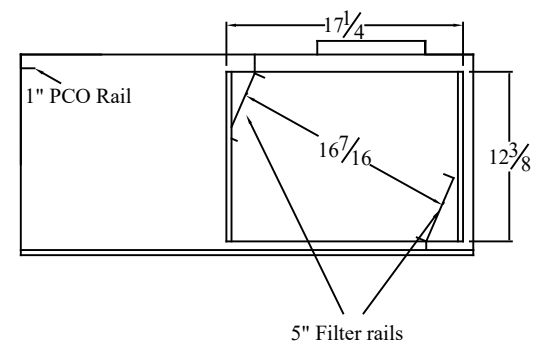
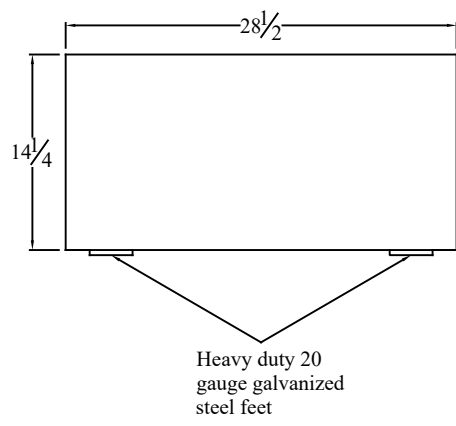
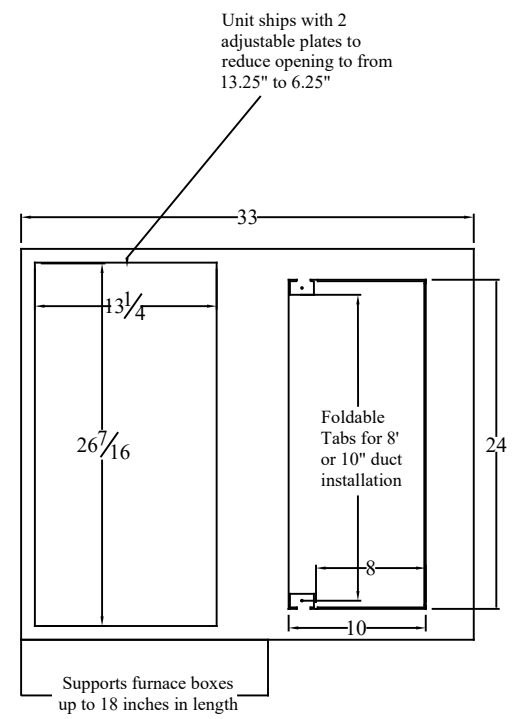


Specifications	
Material:	20/26 Gauge Domestic Steel (Low Lead Content)
Design Weight Capacity:	300 lbs.
Pressure Drop @ 1000 CFM:	.15 Inches of H <sub>2</sub> O



Heavy Duty Plastic Handle for easy door removal to replace filter



<b>Ultravation, Inc.</b> 67 Tubbs Ave Brandon Vermont 05733. Ph: 802-247-0034 Fx: 802-247-0033 www.Ultravation.com	Part #: 90-030	Drawing #: DC-IH-3025	Rev -*
	Description: Un-insulated Furnace support box SBS system, w/ 16x25x5 MERV-11 filter, standard powder coated finish.		
Date: 10/30/06	Scale:	Creator: JSM	