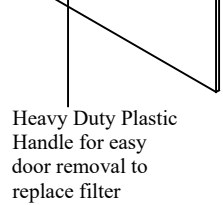
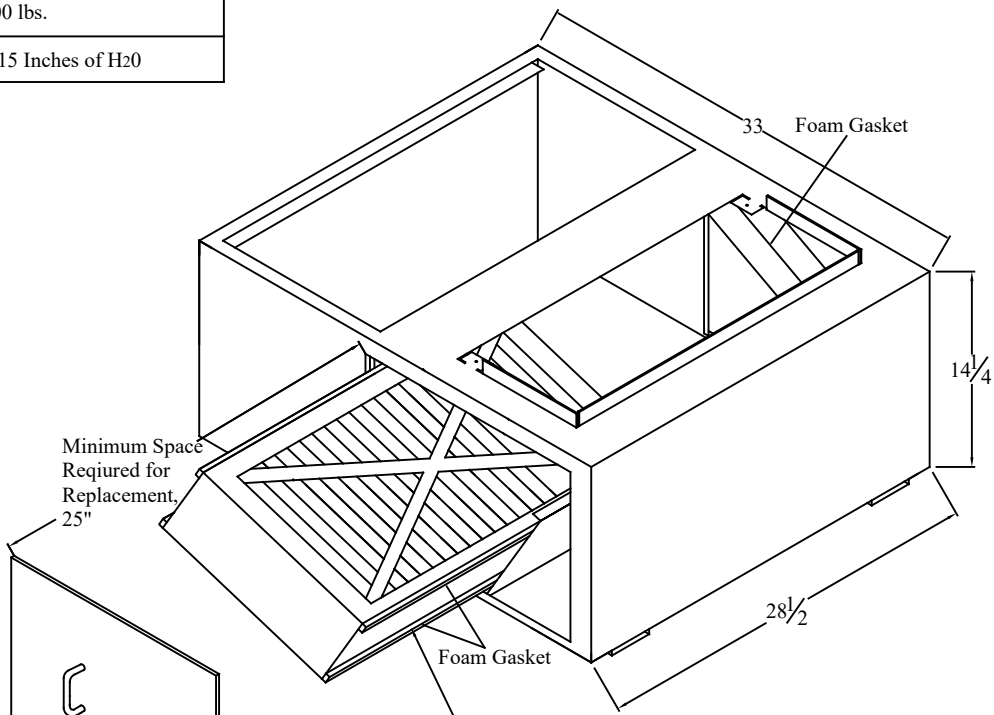
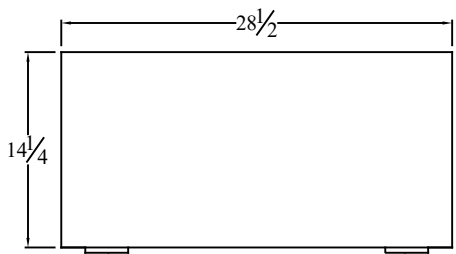


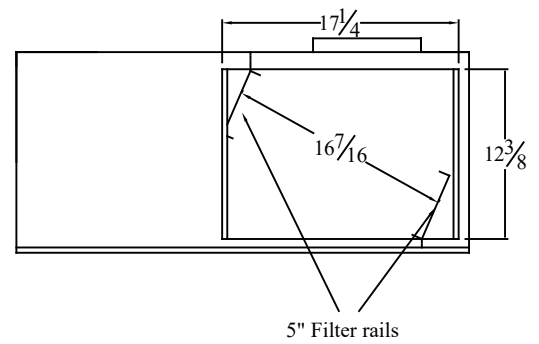
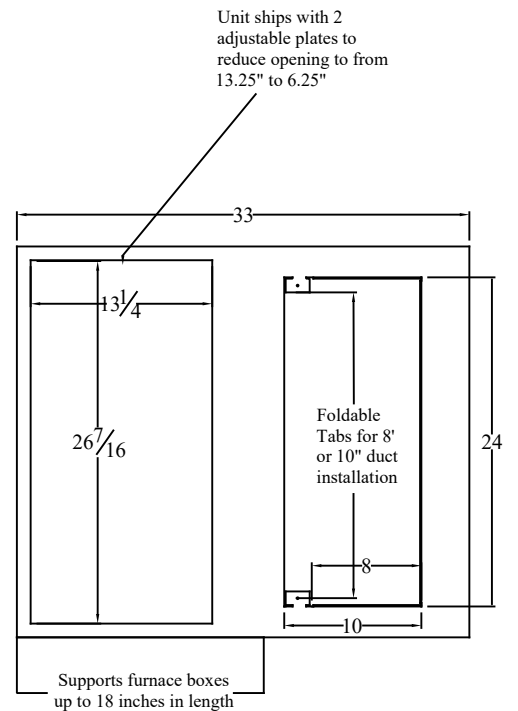
Specifications	
Material:	20/26 Gauge Domestic Steel (Low Lead Content)
Design Weight Capacity:	300 lbs.
Pressure Drop @ 1000 CFM:	.15 Inches of H ₂ O



Part # 91-005
Replacement
MERV-11 Filter



Heavy duty 20 gauge galvanized steel feet



Ultravation, Inc.
67 Tubbs Ave
Brandon Vermont 05733.
Ph: 802-247-0034
Fx: 802-247-0033
www.Ultravation.com

Part #: 90-031	Drawing #: DC-IH-3026	Rev -B
Description: Insulated Furnace support box SBS system, w/ 16x25x5 MERV-11 filter, standard powder coated white finish.		
Date: 10/30/06	Scale:	Creator: JSM