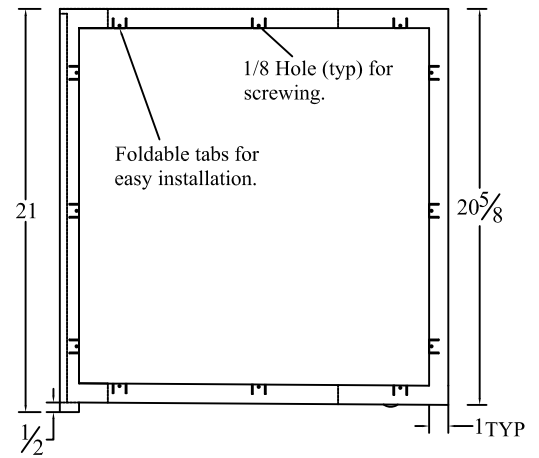
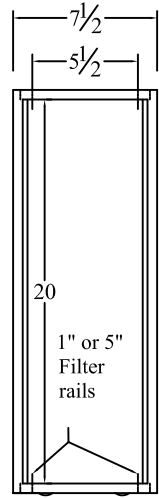
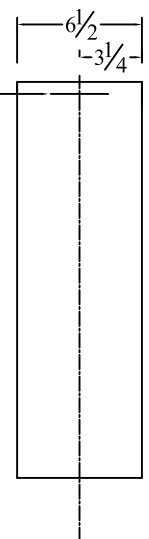
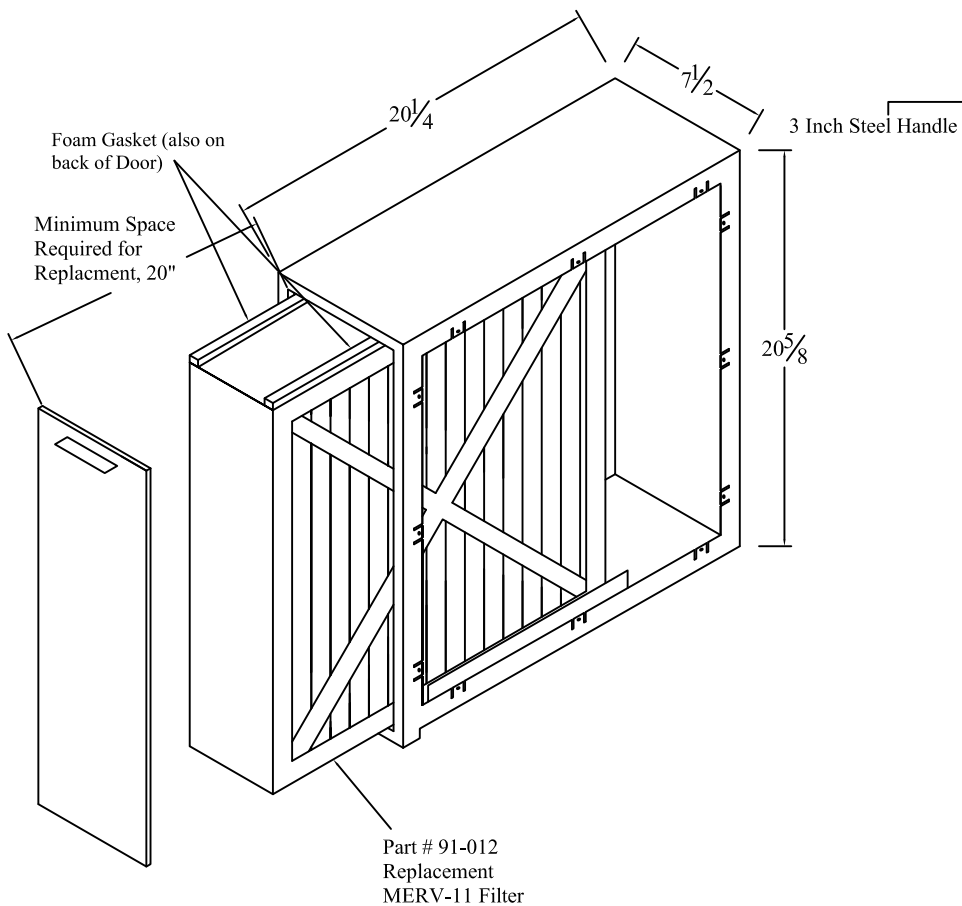
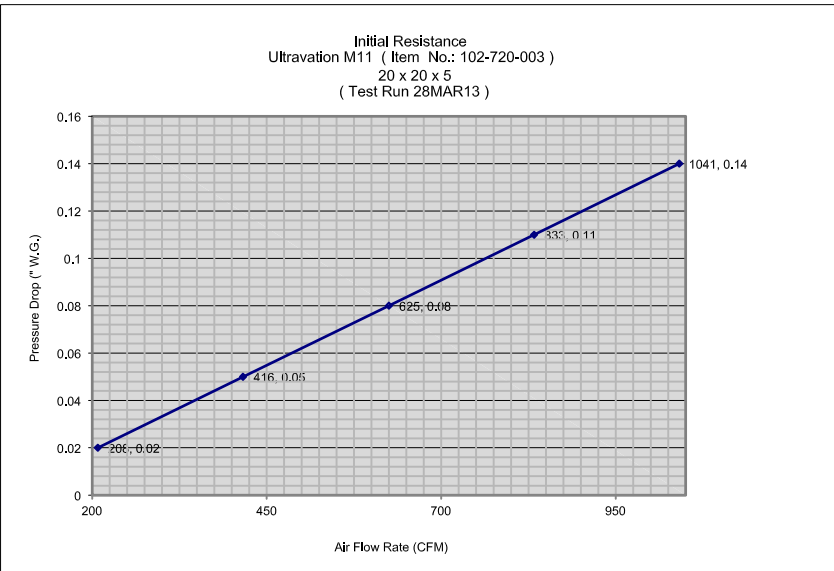


Specifications	
Material:	22 Gauge Domestic Steel (Low Lead Content)
Design Weight Capacity:	275 lbs.
Pressure Drop @ 1000 CFM:	.14 Inches of H ₂ O



Ultravation, Inc. 67 Tubbs Ave Brandon Vermont 05733. Ph: 802-247-0034 Fx: 802-247-0033 www.Ultravation.com	Part #: 90-016	Drawing #: DC-IH-3012	Rev -*
	Description: Media Air Cleaner w/ 20x20x5 MERV-11 Filter, standard powder coated finish.		
Date: 12/3/21	Scale:	Creator: JSM/ SR	