

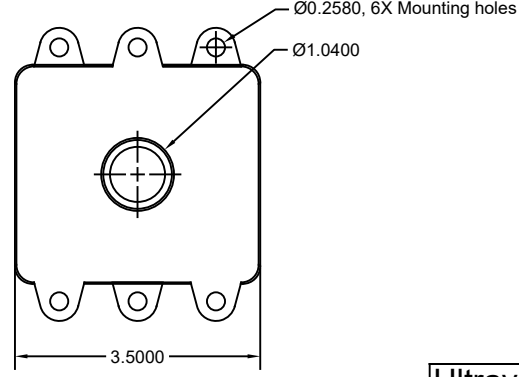
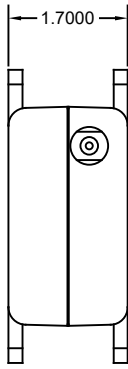
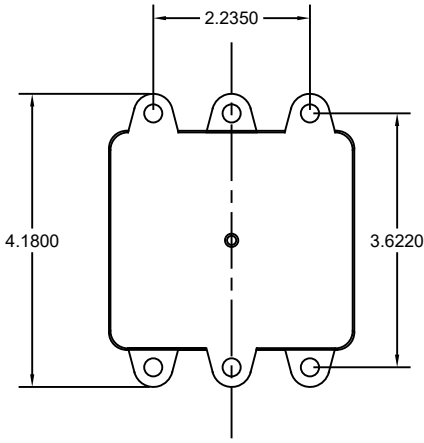
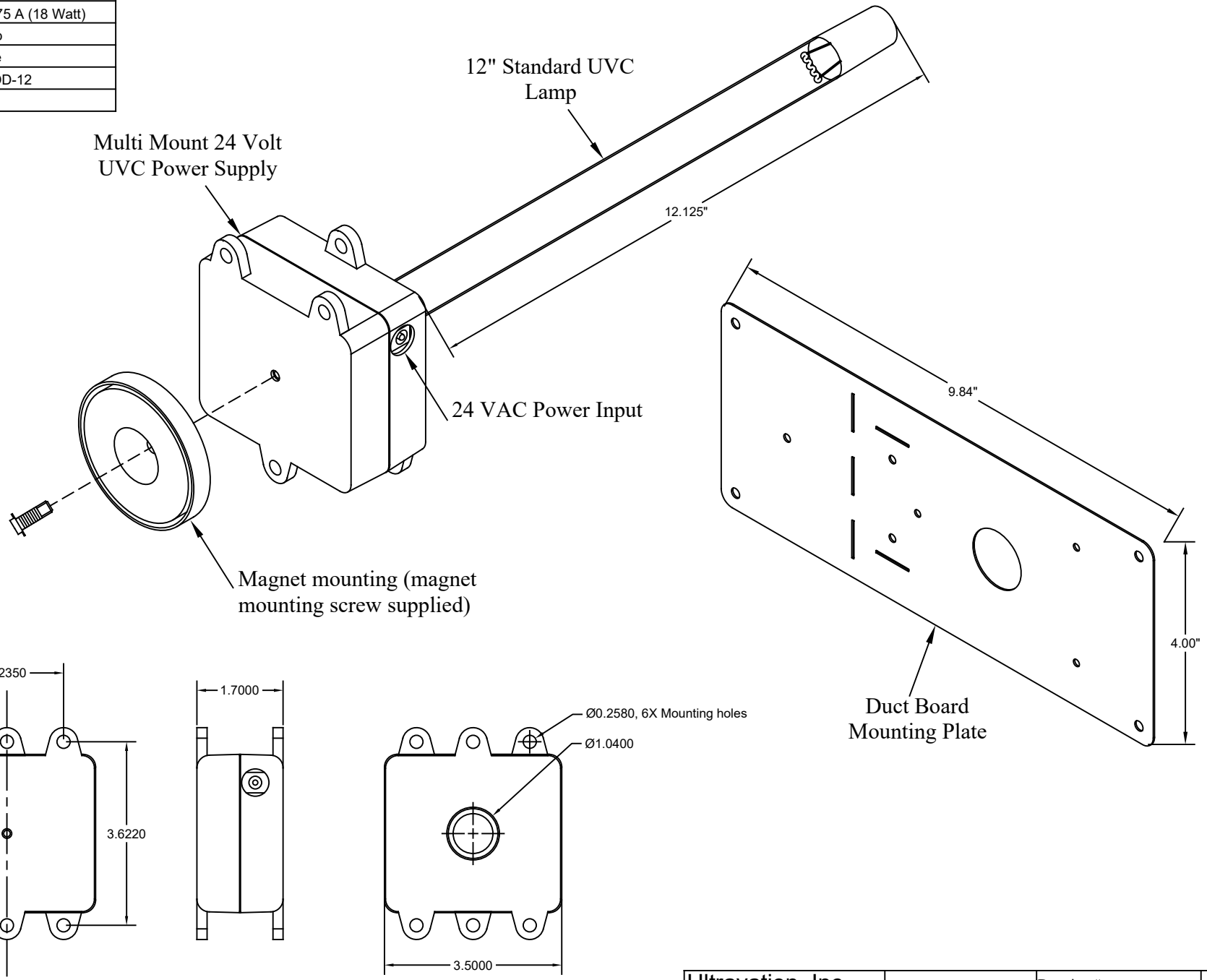
# Specifications

Power Consumption: 24 VAC .75 A (18 Watt)

Lamp Length: 1 - 12" UVC Lamp

Lamp Life: 9000 hours of runtime

Replacement Module: UVC-MOD-12



<b>Ultravation, Inc.</b> 212 Ideal Way Poultney, Vermont 05764 Ph: 802-287-9735 Fx: 802-287-9203 www.Ultravation.com	Part #:ADV1224	Drawing #:ADV1224-DSS	Rev -*
	Description: UVC Power Supply with 1- 12" standard lamp. 24 VAC. 6' power lead, Duct board mounting plate and magnet mount included for multiple installation options		
	Date: 8/11/20	Scale:	Creator: JSM